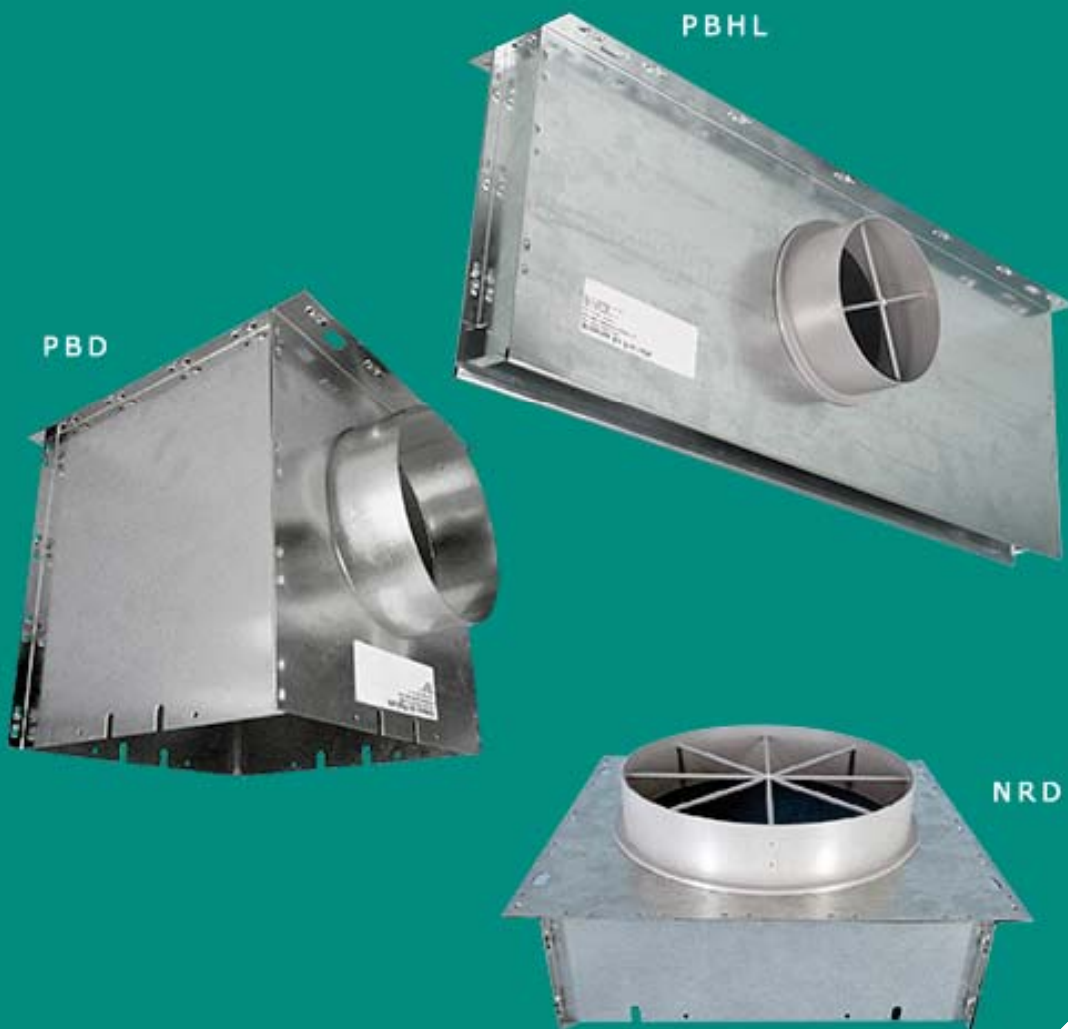


Operating and Maintenance

Plenum boxes





All Plenum boxes

Material

Galvanised steel, ABS plastic Spigot, PU Foam.

Tools Required

- 1 x Medium Cross Head Screwdriver

Note: Power tools are not recommended for this installation due to the risk of damage caused by the over-tightening of the hanging bracket screws.

Plenum Box Installation

1- Align the centreline of the plenum box with the centre of the ceiling opening

2- Install the plenum box, suspending it from its mounting holes with Drop Rods (supplied by others). Use locknuts and washers above and below the mounting holes to set the plenum box height. If using gripple wire, 4 No. lengths must be used to fix the plenum to individual fixings in the soffit, located vertically, in line with the plenum mounting holes.

3- Check that the plenum box is level and aligned with the ceiling opening (Figure 1).

It is essential that all the plenums be installed in the ceiling void prior to the diffuser installation.

For continuous diffuser runs, Waterloo recommend that longitudinal angle (supplied by others) are attached to the sides of the plenums to prevent the plenum boxes pulling the diffuser out of alignment.

Waterloo also recommends that all mitre sections be installed prior to the fitting of continuous runs of active or dummy diffusers.

Note: The connection between the diffuser and plenum is adequately sealed for most installations, although secondary additional sealing may be required at the discretion of the installers, if the leakage rate required is particularly low.

Operation

Plenums may have FDC flap dampers or FDQ lever dampers fitted if they have circular spigots or OBCO cord operated blade damper if a rectangular spigot is used.

These dampers will be set at the commissioning stage, but the cords must be feed through the diffuser opening to allow adjustment. Typically the cord is tied up in tucked out of site into the diffuser once adjusted. FDQ dampers have a lever that may be locked off after commissioning, ceiling access is required with this type of damper.

Maintenance

No maintenance is required

There are no user serviceable parts in the plenums.

Care

Cleaning is to be undertaken with a mild non-abrasive detergent used sparingly applied with a micro fibre type cloth, the unit must be dried after cleaning to avoid corrosion.

The inside of the plenum may be cleaned using a vacuum cleaner, care must be taken not to damage any foam linings.

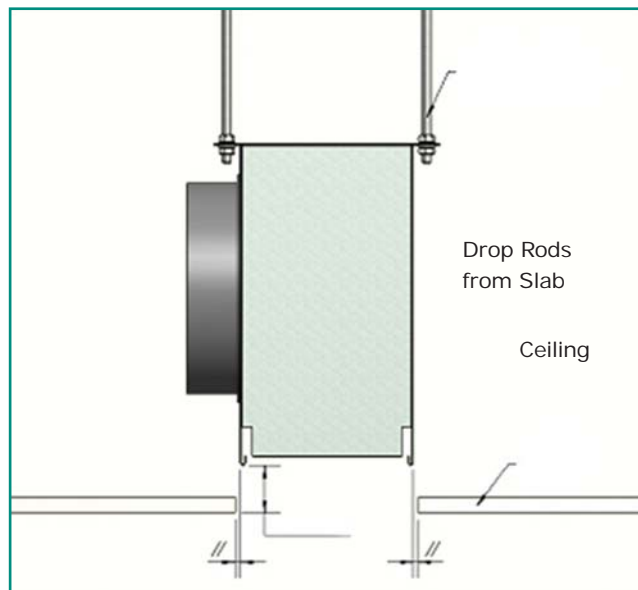


Figure 1- Plenum installation detail



Waterloo Product Range

GRILLES

A complete range of products suitable for all wall, ceiling and floor applications. Most grilles are made from aluminium and have a range of fixed or moveable blades designed to give performance whilst remaining aesthetically pleasing to the eye. Grilles are made to customer specified sizes and colours (PPM/G); standard colour PPM9010 (20% Gloss White). The range is complemented by the Aircell range of polymer Grilles.



DIFFUSERS

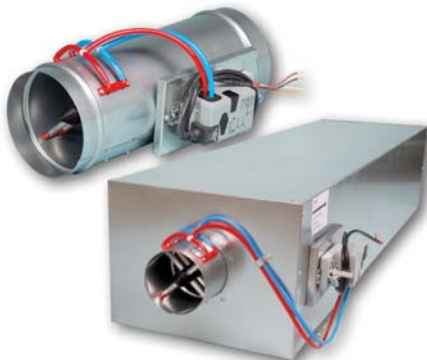
Designed to be installed in various ceiling systems, we have a complete range to suit both performance and aesthetic requirements. Most diffusers are made from aluminium and can be ordered with or without plenum boxes for easy duct work. Diffusers can be ordered in customer specified colours (PPM/G); standard colour is PPM 9010 (20% Gloss White). This range is complemented by the Aircell range of polymer Diffusers.



ACTIVE AND PASSIVE CHILLED BEAMS

The finest quality range of high output active beams, used for ventilated heating and cooling applications. These units have 4 pipe coils to allow heating and cooling circuits to run simultaneously, giving constant and responsive control. The design allows a large optimum capacity and also allows the customer to specify the nozzle type and pitch for individual circumstances.

Active beams are made from steel to a large range of customer specified sizes and as such are suitable for various different ceiling systems. Standard finish is PPM 9010, however other (PPM/G) colours are available on request.



AIR VOLUME CONTROL DAMPERS

Pressure independent Variable Air Volume and Constant Air Volume dampers made from zintec plate. Most volume dampers are regulated with an electronic motor and sensors and are calibrated to customer specifications before delivery.

The Constant Air Volume damper requires no power source as it is controlled via a mechanical device and calibrated before delivery. All volume dampers can be ordered with a single or double (insulation) skin.

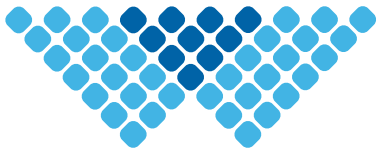
EXTERNAL LOUVRES

A quality range of products for external wall applications. Made from aluminium, with birdscreen or insect screen options. All louvres are made to customer specified sizes and (PPM/G) colours; standard colour is PPM 9006.



DISPLACEMENT

A full range of recessed, semi-recessed, floor, wall and corner units providing high ventilation efficiency and excellent comfort. The very low pressure involved also offer quiet installations. Displacement units are available as wall or floor mounted, or indeed integrated within the architectural design.



waterloo

Waterloo Air Products plc

Head Office:

Mills Road, Aylesford,
Maidstone, Kent ME20 7NB
Tel: +44 (0)1622 711 500
Fax: +44 (0)1622 710 648
email: sales@waterloo.co.uk
internet: www.waterloo.co.uk

Northern Office:

Hyde Park House, Cartwright Street,
Newton, Hyde SK14 4EH
Tel: +44 (0)161 367 1264
Fax: +44 (0)161 367 1262
email: sales@waterloo.co.uk
internet: www.waterloo.co.uk



FM 27823



EMS 590755

All products conform to the Terms and Conditions of Waterloo Air Products plc a copy of which are available upon request. Due to our continuous research and development programme, Waterloo Air Products plc reserve the right to alter products and prices without prior notification.

Copyright Waterloo Air Products plc 2019

Waterloo declare that, at the time of print, all products are in accordance with relevant directives, as identified by HEVAC and other European Organisations and will display the CE Marking where required.