

Linear Slot Diffusers

STKCS STCS

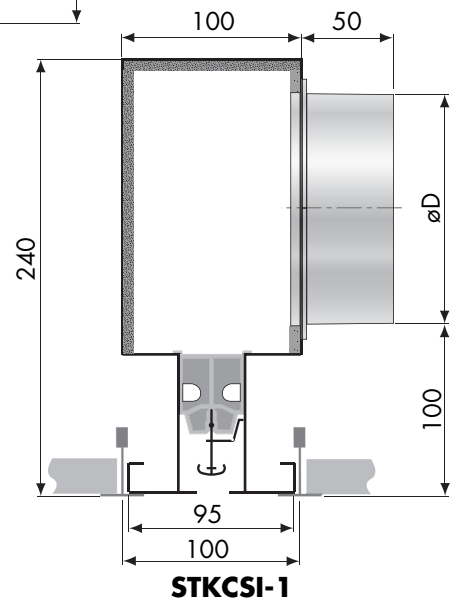
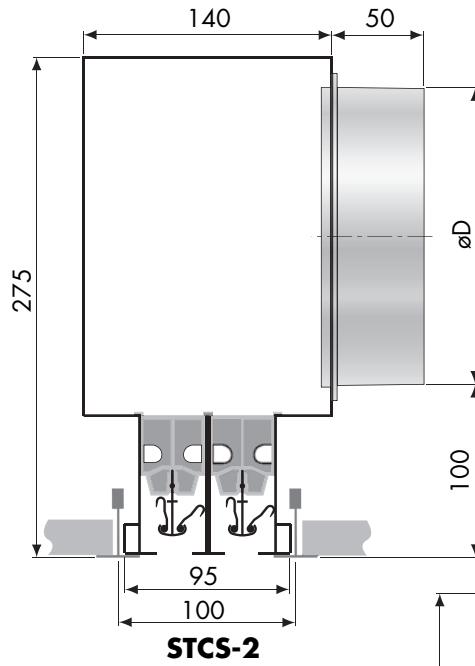


Introduction

The Waterloo series STKCS / STCS is a one or two slot diffuser with a front face plate designed to be mounted into 600mm and 1200mm modular T-Bar ceiling systems. The front face plate on both the one and two slot are the same size to provide a uniform facial appearance. The units are supplied with their own plenum boxes as standard.

Product Description

- STKCS-1** Single slot diffuser - one way throw with a black polymer pattern control element
- STKCSI-1** Single slot diffuser - one way throw with 6mm thermal/acoustic lining in the plenum
- STCS-2** Two slot diffuser - two way throw with a black aluminium pattern control element
- STCSI-2** Two slot diffuser - two way throw with 6mm thermal/acoustic lining in the plenum



Features

- Common faceplate width for one and two slot
- Integrated plenum unit
- Sizes to suit 600, 1200 & 1500mm T-Bar ceiling systems
- High induction characteristics
- VAV compatible
- Modular design

Finishes

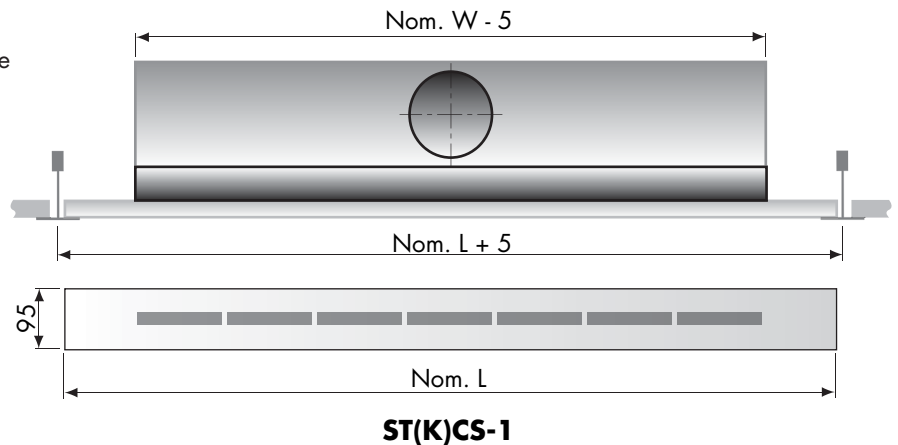
Front face plate PPM9010 - 20% Gloss White
Other colours available on request

Weights

- STCS-1 4.0 kg/m
- STKCS-1 3.7 kg/m
- STCS-2 5.7 kg/m
- STKCS-2 5.0 kg/m

Sizes

See tables



Order Example

STKCS-2/1195/PPM9010/980/125/1

Type _____

No. of slots _____

Diffuser length _____

Finish _____

Plenum length _____

Plenum spigot diameter _____

N° of spigots _____

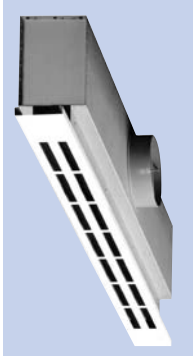
STKCS-1		
Nom. L	E	øD
420 - 700	240	1 x 100
840 - 1260	240	1 x 125
1400 - 1540	240	2 x 100
1680 - 1820	240	2 x 125

STKCS-2		
Nom. L	E	øD
420 - 700	275	1 x 125
840 - 1260	275	1 x 160
1400 - 1540	275	2 x 125
1680 - 1820	275	2 x 160



Linear Slot Diffusers

STKCS STCS



Selection Criteria

Ceiling Height 2.7m
 Temperature Differential -11K
 Average room velocity V_r 0.15m/s
 NR is sound pressure level/Noise Criteria Curve
 based on a room absorption of 8dB

Selection Example STKCS-1/1400

Air Volume 50 l/s
 Throw 4.0 m
 Pressure Drop 23 Pa
 Noise Level NR 20

All selections include the plenum

Performance Table

STKCS			Plenum length (mm)															
m ³ /h	l/s	W	560		700		840		980		1120		1260		1400		1540	
		Slots	1	2	1	2	1	2	1	2	1	2	1	2	1	2	1	2
54	15	T	2.8		2.3		2.0		1.7		1.5		1.3		1.2		1.1	
		P _s	14		9		7		5		4		3		2		1	
		L _p	-		-		-		-		-		-		-		-	
72	20	T			3.4		2.8		2.5		2.2		2.0		1.8		1.6	
		P _s			18		14		10		8		7		6		5	
		L _p			-		-		-		-		-		-		-	
108	30	T		3.9		3.8		3.2		2.8		2.6		2.3		2.1		
		P _s		11		21		17		14		12		9		7		
		L _p		-		20		-		-		-		-		-		
126	35	T		5.2		3.9		4.1		3.6		3.2		2.8		2.6		
		P _s		18		11		23		18		16		14		11		
		L _p		22		-		20		-		-		-		-		
144	40	T				4.9		3.9				3.8		3.5		3.1		
		P _s				16		11				21		17		15		
		L _p				21		-				-		-		-		
180	50	T				5.9		5.3		3.9				4.0		3.6		
		P _s				24		14		11				23		18		
		L _p				25		20		-				20		-		
198	55	T						5.6		4.6		3.9		3.4				
		P _s						21		13		11		10				
		L _p						24		20		-		-				
126	65	T							5.4		4.6		3.9		3.5			
		P _s							19		13		11		10			
		L _p							23		20		-		-			
252	70	T									5.2		4.5		3.9		3.5	
		P _s									18		13		11		10	
		L _p									22		20		-		-	
306	85	T											5.6		4.9		4.4	
		P _s											21		16		13	
		L _p											24		21		20	
360	100	T															5.3	
		P _s															18	
		L _p															22	

For exhaust applications, please multiply the above pressure drops (P_s) by 1.2, and add 3dB to the noise levels.