

Author:	Tony Pepper	Creation Date:	19.01.10
Checked:	MP, SF, WTK, NB	Revision:	0

Tools required:

- 1 x Large Cross Head Screwdriver
- 1 x Pop Riveter
- 1 x Ø3.5mm Drill Bit
- 1 x Battery Operated Drill

Plenum Installation

1. Install the Plenum Box in its desired position prior to fitting of the ceiling by suspending it from its mounting holes with Drop Rods (supplied by others). Raise or lower the Plenum as required to give a dimension of 20 to 25mm from the proposed ceiling face (figure 1). Once you are happy with it's position then secure the Plenum in place using the lock nuts on the Drop Rods.
2. After the Ceiling has been installed, mark out the required Diffuser position then cut out the appropriate clearance hole size (see figure 2). The recommended hole sizes are as follows:

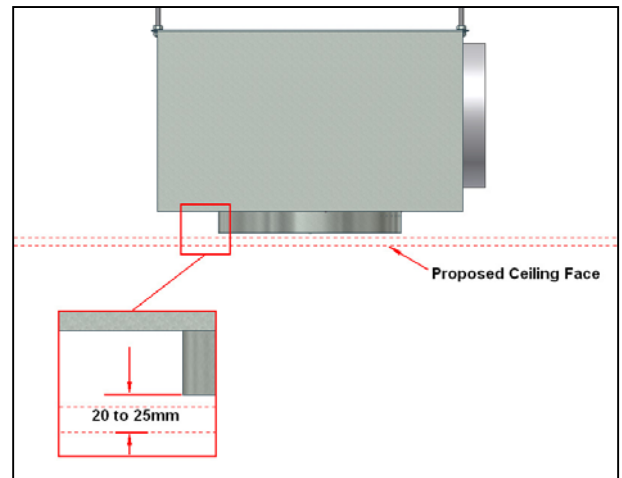


Figure 1: Install Plenum Box

Model	Cutout Size
SDFC-125	160
SDFC-160	200

Model	Cutout Size
SDFC-200	250
SDFC-250	300

Model	Cutout Size
SDFC-315	370
SDFC-400	460

3. Offer up the Diffuser into the ceiling opening making sure that the stack on the rear of the Diffuser is correctly located in the Plenum Mounting Collar (figure 3). Take the fixing screw from the fitting kit supplied, remove its plastic cap and secure the Diffuser to the Plenum Mounting Bar as shown in figure 3a.

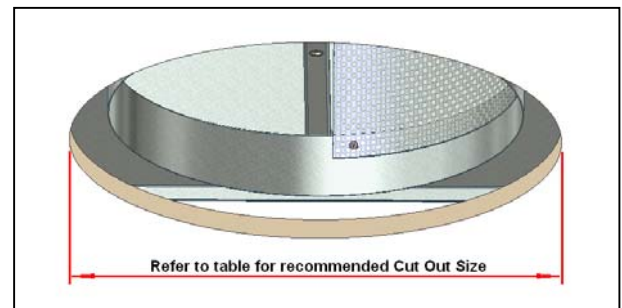


Figure 2: Cut out clearance hole

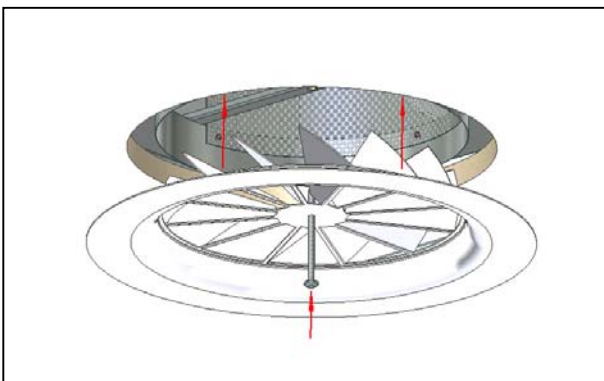


Figure 3: Offer up Diffuser to ceiling opening



Take care not to over tighten the screw as this could distort to the Diffuser face.

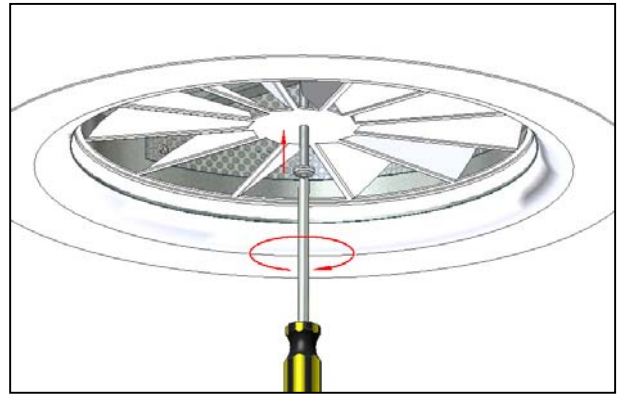


Figure 3a: Screw Diffuser in place

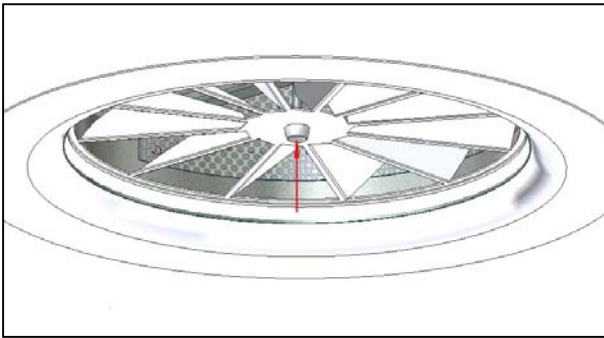


Figure 4: Fit plastic cap over screw

4. Clip the plastic cap back over the head of the fixing screw (figure 4).

Duct Mount Installation

An alternative method of installing this range of Diffusers is the use of a steel Duct Mount Collar. This allows rigid ductwork to be connected directly to the rear of the Diffuser. These Duct Mounts are supplied to order, and the installation instructions are as follows:

1. Prior to the installation of the Ductwork, fit the Duct Mount Collar into the vertical section of the Ductwork, by first orientating the Collar so that it's mounting bar 'U' channel is open to the base of the Ductwork.

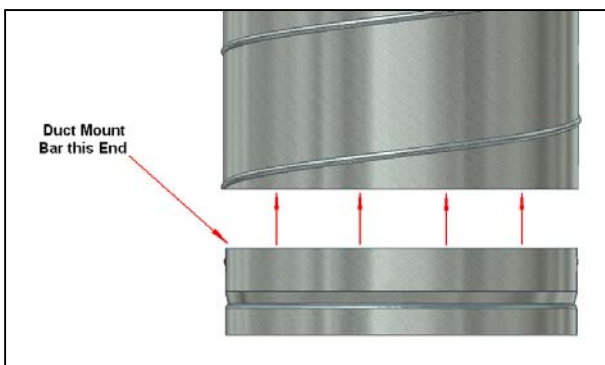


Figure 5: Insert Collar in Ductwork

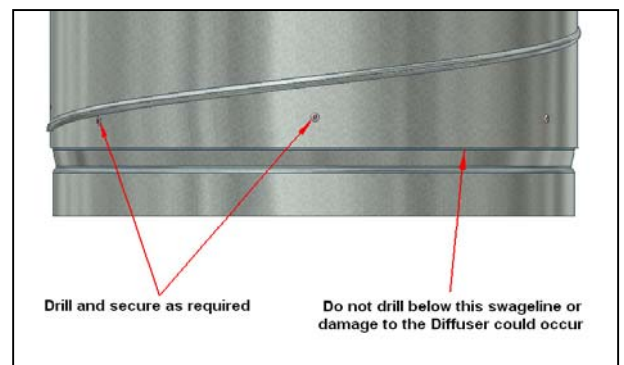


Figure 5a: Secure Collar in Place

Waterloo Air Products plc
Mills Road, Aylesford, Kent
ME20 7NB

T: +44 (0) 1622 717861
F: +44 (0) 1622 710648
E: mail@waterloo.co.uk
W: www.waterloo.co.uk

Registration No 4911865

2. Slide the Collar up inside the ductwork until the end of the Ductwork is level with the top of the swage line (see figure 5). Secure the Collar to the Ductwork by pop riveting or screwing them together (figure 5a).

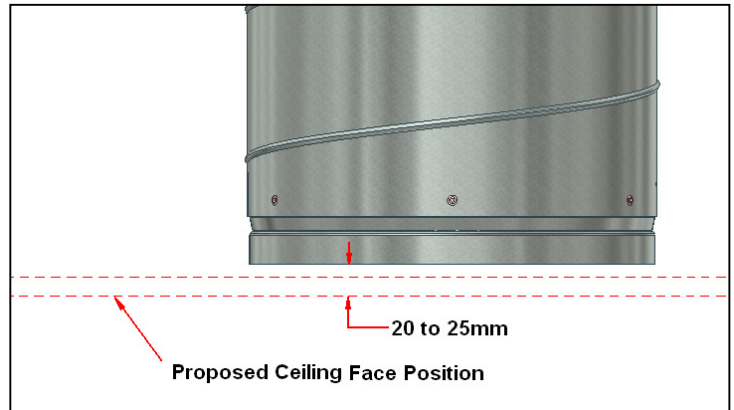


Figure 6: Position Duct above the proposed ceiling face location

3. Install the Ductwork in its desired position prior to fitting of the ceiling by suspending it from the Floor Slab with Drop Rods (supplied by others).

4. Raise or lower the Ductwork as required to give a dimension of 20 to 25mm from the bottom of the Duct Mount Collar to the proposed ceiling face (figure 6). Once you are happy with it's location then secure the Ductwork in position using the lock nuts on the Drop Rods.



Figure 7: Cut Clearance Hole

5. After the Ceiling has been installed, mark out the required Diffuser position then cut out the appropriate clearance hole size (see figure 7). The recommended hole sizes are listed in the Plenum installation instructions above.

6. Offer up the Diffuser into the ceiling opening making sure that the stack on the rear of the Diffuser is correctly located in the Duct Mounting Collar (figure 8). Take the fixing screw from the fitting kit supplied, remove its plastic cap and secure the Diffuser to the Plenum Mounting Bar as shown in figure 8a. Take care not to over tighten the screw as this could distort to the Diffuser face.

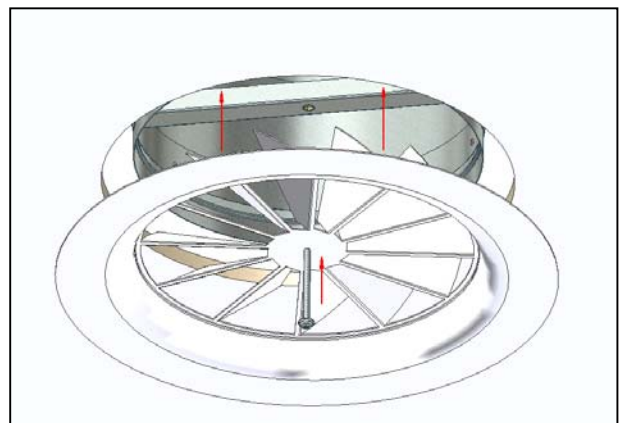
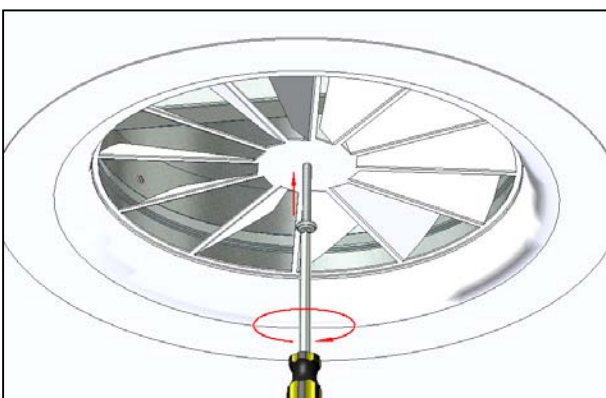


Figure 8: Offer Diffuser into opening



**Figure 8a:
Screw Diffuser
to Duct Collar**

Waterloo Air Products plc
Mills Road, Aylesford, Kent
ME20 7NB

T: +44 (0) 1622 717861
F: +44 (0) 1622 710648
E: mail@waterloo.co.uk
W: www.waterloo.co.uk

Registration No 4911865



7. Clip the plastic cap back over the head of the fixing screw (figure 4).

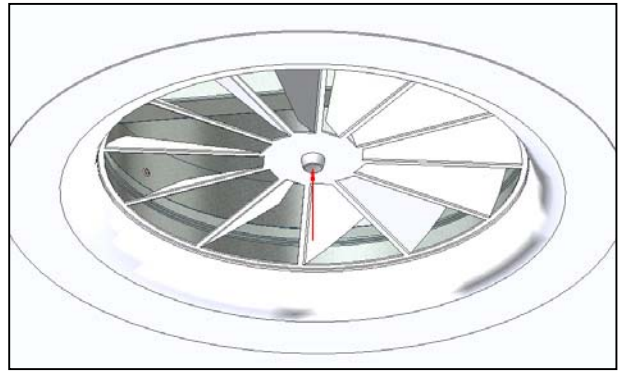


Figure 9: Refit Plastic Cap

Cleaning and Maintenance

To clean, use warm soapy water and a damp cloth. Wipe down the Blades and Face of the Diffuser and leave to dry.

Waterloo Air Products plc

Mills Road, Aylesford, Kent
ME20 7NB

T: +44 (0) 1622 717861

F: +44 (0) 1622 710648

E: mail@waterloo.co.uk

W: www.waterloo.co.uk

Registration No 4911865