

# Grille Plenum Chambers



## Introduction

Correct selection and sizing of distribution plenum chambers is critical because grille air resistance is very low relative to the distribution ductwork resistance. It is therefore recommended that whenever possible grilles are served by low velocity stub ducts from branch ducting systems fitted with correct balancing controls.

Where it is necessary to specify and use grille plenums a generous allowance for commissioned noise generation should be made.

## Product Description

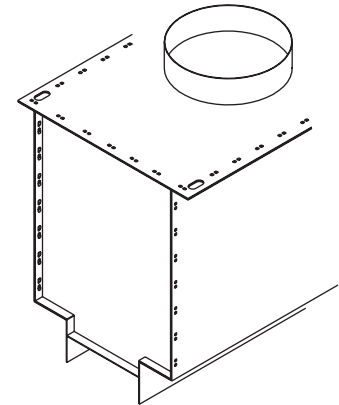
<b>PBG</b>	Individual grille plenum
<b>PBG/LL</b>	Low line grille plenum
<b>PBLG</b>	Linear grille plenum
<b>PBLG/LL</b>	Low line linear grille plenum
<b>PBSG</b>	Security grille plenum

## Spigot Options

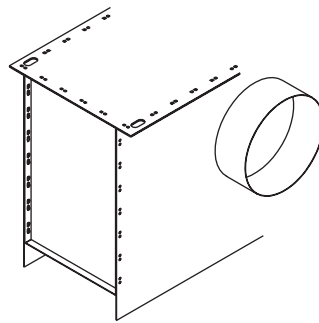
<b>SE</b>	Side entry
<b>TE</b>	Top entry
<b>1CC</b>	1- circular connection
<b>1RC</b>	1- rectangular/square connection
<b>1FO</b>	1- flat oval connection

## Features

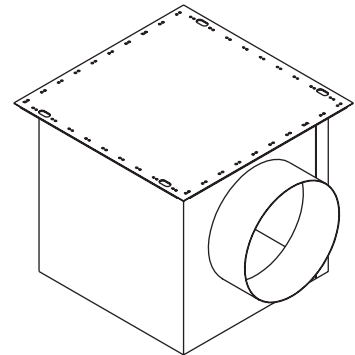
- Plated steel with stitched seam joints.
- Standard circular connection diameters :- 97, 122, 157, 197, 247, 312 and 397 Ø
- Available with circular, square, rectangular or flat oval spigots in either top or side entry applications
- Standard or Lo-line configurations
- Optional 6mm internal thermal/acoustic lining



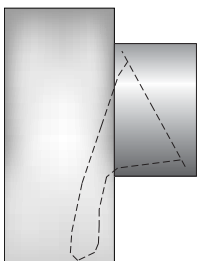
**PBLG/LL** - Top entry Low-line linear grille plenum box.



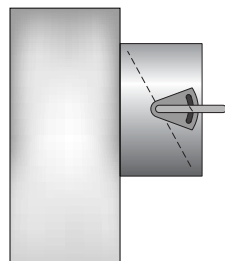
**PBLG** - Side entry Linear grille plenum box.



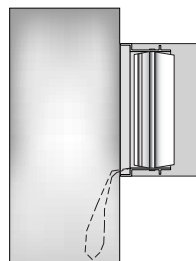
**PBG** - Side entry grille plenum box.



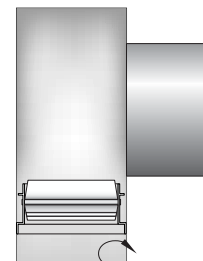
**FDC**  
Cord operated flap damper for mounting within circular spigots to plenum chambers. The cord should be fed through the air terminal device ready for commissioning.



**FDQ**  
Flap damper with external quadrant control for mounting within circular spigots to plenum chambers. The quadrant is accessible from outside the duct and the damper can be locked in any position.



**OBCO**  
Cord operated opposed blade damper for installation within square or rectangular spigots to plenum chambers. The cord should be fed through the air terminal device ready for commissioning.



**OBSS / ED**  
Standard opposed blade damper for diffuser or duct mounting. Adjustable by screwdriver inside the duct or through the face of the air terminal device. The ED is an individually adjustable blade device for equalising airflow across the diffuser.