

Adjustable Duct Grilles

1RV 2RV



Introduction

The Waterloo 1RV & 2RV are designed to fit directly onto the side of an exposed circular duct without the need for a stub duct or transition piece. The flange is supplied complete with a foam sealing gasket on all 4 sides. These units can be provided with either a single row of vertical blades, or a set of vertical blades at the front and a set of horizontal blades at the rear. There are a range of sizes for each grille to suit ducts from $\varnothing 125$ - $\varnothing 1500$. Each grille can be supplied with an aluminium opposed blade damper if required.

Product Description

- 1RV** Single vertical set of blades
- 2RV** One set vertical, one set of horizontal blades
- OBSS** Allen key operated opposed blade damper
- DT-2MG** Adjustable duct turns

Features

- Supply and exhaust applications for warm or cooled air
- Adjustable blades
- Suitable for large range of duct sizes

Finishes

- PPM9006 (RAL 9006 Matt Silver)
- PPM9010 (RAL 9010 20% Gloss White)
- PPG9010 (RAL 9010 Gloss White)
- Other colours available on request

Weights

- 1RV 8.5 kg/m² face area
- 2RV 12.0 kg/m² face area
- OBSS 9.5 kg/m² face area
- DT-2MG 9.0 kg/m² face area

Sizes

- Nom. W 225mm - 1225mm in 100 mm increments
- Nom. H 75mm - 225mm in 50 mm increments

Fixing

SF Only - Screw through face flange

Advantages

- Large size range
- High air handling capacity
- Fully adjustable throws
- No need for transition piece on ducts

Order Example

1RV-250/325x75/PPM9010/SF/OBSS

Type _____

Duct Diameter _____

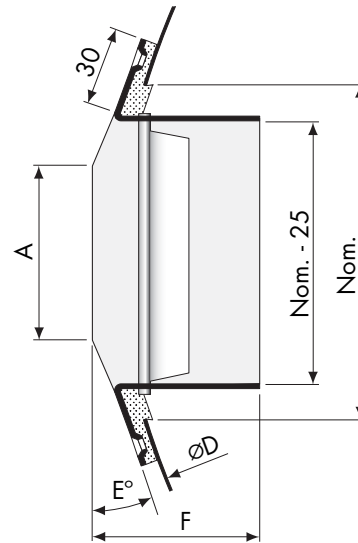
Duct Opening Width _____

Duct Opening Height _____

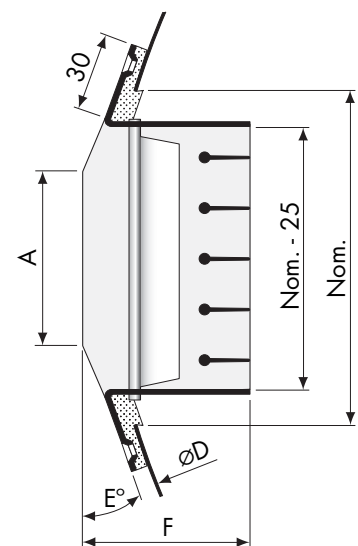
Finish _____

Fixing _____

Option _____



1RV



2RV

Free Area	
1RV	2RV
74%	66%

Please refer to page 42 for full details of:

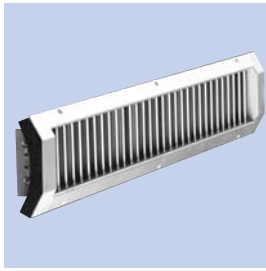
Control Options (OBSS / DT-2MG)

Sizes Dimensions and Angles						
W	H	øD min	øD max	E°	A	F
225-1225	75	125	150	45	53	55
225-1225	75	151	200	35	53	55
225-1225	75	201	300	30	53	55
225-1225	75	301	400	25	53	55
225-1225	125	200	300	35	66	69
225-1225	125	301	400	30	80	63
225-1225	125	401	550	25	80	61
225-1225	125	551	900	15	80	59
225-1225	175	450	550	25	101	68
225-1225	175	551	900	20	101	65
225-1225	175	901	1250	12.5	101	61
225-1225	225	500	600	30	135	76
225-1225	225	601	900	25	135	72
225-1225	225	901	1500	15	135	65



Adjustable Duct Grilles

1RV 2RV



Selection Criteria

Temperature Differential -11K
 NC is sound pressure level/Noise
 Criteria Curve based on a room
 absorption of 8dB
 Throw is based on a free jet
 application

Selection Example 1RV/925x225 at 0° deflection

Air Volume 900 l/s
 Throw 18.5 m
 Pressure Drop 9 Pa
 Noise Level NC 26
 Face Velocity 6 m/s

Please refer to page 2 for used
 symbols, definitions and criteria.

Jet Terminal Velocity Correction Factors

0.6 m/s	0.5 m/s	0.4 m/s	0.3 m/s
x 0.65	x 0.80	x 1.0	x 1.3

Performance Nomogram

